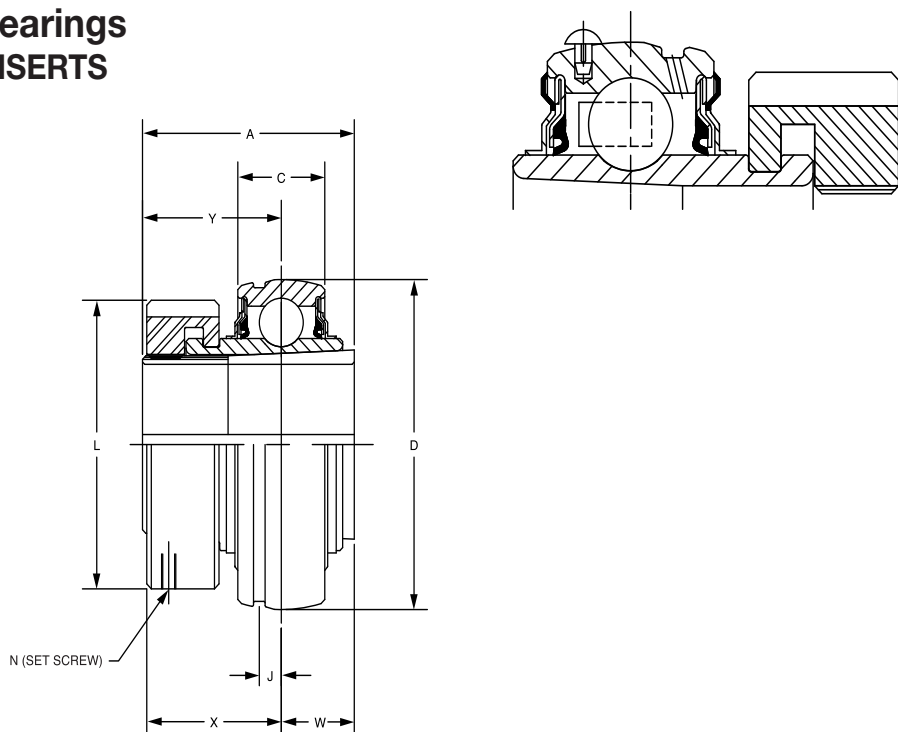




SELECTION/DIMENSIONS

GRIP TIGHT Adapter Ball Bearings GT NORMAL DUTY BEARING INSERTS



Series	Shaft Size	Complete Unit		Unit without Adapter Sleeve & Lock Nut		Adapter Sleeve & Lock Nut Assembly	
		Part No.	Description	Part No.	Description	Part No.	Description
203	1/2	129774	INS-GT-008	129516	INS-GT-03	136588	AN-GT-03-008-D
	5/8	129775	INS-GT-010			136521	AN-GT-03-010-D
	17mm	129796	INS-GT-17M			136589	AN-GT-03-17M-D
204	3/4	129776	INS-GT-012	129517	INS-GT-04	136522	AN-GT-04-012-D
	20mm	129797	INS-GT-20M			136553	AN-GT-04-20M-D
205	7/8	129777	INS-GT-014	129518	INS-GT-05	136590	AN-GT-05-014-D
	15/16	129778	INS-GT-015			136523	AN-GT-05-015-D
	1	129779	INS-GT-100			136524	AN-GT-05-100-D
	25mm	129798	INS-GT-25M			136554	AN-GT-05-25M-D
206	1-1/8	129780	INS-GT-102	129519	INS-GT-06	136525	AN-GT-06-102-D
	1-3/16	129781	INS-GT-103			136526	AN-GT-06-103-D
	1-1/4	129782	INS-GT-104S			136527	AN-GT-06-104S-D
	30mm	129799	INS-GT-30M			136555	AN-GT-06-30M-D
207	1-1/4	129783	INS-GT-104	129520	INS-GT-07	136528	AN-GT-07-104-D
	1-3/8	129784	INS-GT-106			136591	AN-GT-07-106-D
	1-7/16	129785	INS-GT-107			136529	AN-GT-07-107-D
	35mm	129800	INS-GT-35M			136556	AN-GT-07-35M-D

@ Assembled to order.

FEATURES/BENEFITS PAGE B5-2	HOW TO ORDER/NOMENCLATURE PAGE B5-4	SELECTION PAGE B5-5	RELATED PRODUCTS PAGE B5-70
--------------------------------	--	------------------------	--------------------------------

Bearing Reference Guide

ULTRA KLEEN

E-Z KLEEN

Extreme Duty

Setscrew Ball Bearing

GRIP TIGHT

D-LOK Ball Bearing

SELECTION/DIMENSIONS



GRIP TIGHT Adapter Ball Bearings GT NORMAL DUTY BEARING INSERTS

Bearing Reference Guide

ULTRA KLEEN

E-Z KLEEN

Extreme Duty

Setscrew Ball Bearing

GRIP TIGHT

D-LOK Ball Bearing

Series	Shaft Size	Weight lbs kg	A	C	D	J	L	N SetScrew (UNF)	W#	X	Y#	
203	1/2	0.3	1.29	0.51	1.5748	0.15	1.40	#10-32 x 1/4	0.40	0.90	0.89	
	5/8	0.3							10.2	22.9	22.6	
	17mm	0.1	32.8	13.0	40.000	3.8	35.6					
204	3/4	0.6	1.48	0.58	1.8504	0.15	1.50	#10-32 x 1/4	0.46	1.03	1.02	
	20mm	0.3	37.6	14.7	47.000	3.8	38.1		11.7	26.2	25.9	
205	7/8	0.8	1.46	0.59	2.0472	0.16	1.80	#10-32 x 1/4	0.48	1.00	0.98	
	15/16	0.8										
	1	0.8										
206	25mm	0.4	37.1	15.0	52.000	4.1	45.7	#10-32 x 1/4	12.2	25.4	24.9	
	1-1/8	1.2	1.61	0.69	2.4409	0.16	2.08		#10-32 x 1/4	0.52	1.13	1.09
	1-3/16	1.2										
207	1-1/4	1.8	1.62	0.75	2.8346	0.20	2.38	#10-32 x 1/4		0.54	1.14	1.08
	1-3/8	1.8										
	1-7/16	1.7										
	35mm	0.8	41.1	19.1	72.000	5.1	60.5		13.7	29.0	27.4	

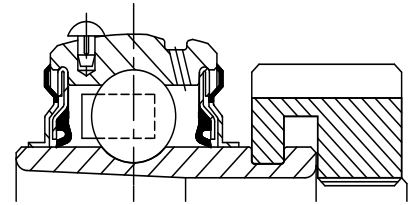
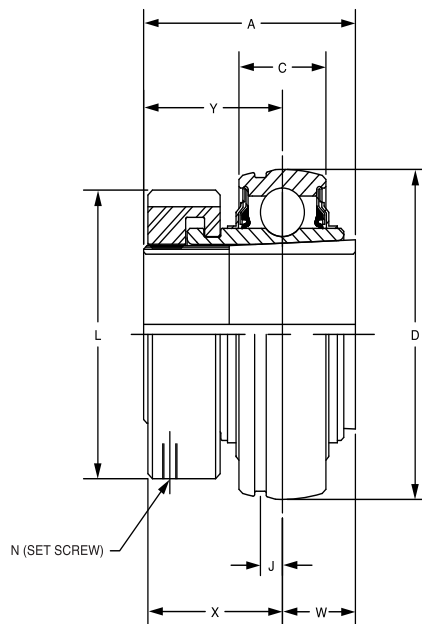
#W & Y dimensions will vary slightly depending on true shaft diameter.

FEATURES/BENEFITS PAGE B5-2	HOW TO ORDER/NOMENCLATURE PAGE B5-4	SELECTION PAGE B5-5	RELATED PRODUCTS PAGE B5-70
--------------------------------	--	------------------------	--------------------------------



SELECTION/DIMENSIONS

GRIP TIGHT Adapter Ball Bearings GT NORMAL DUTY BEARING INSERTS



Series	Shaft Size	Complete Unit		Unit without Adapter Sleeve & Lock Nut		Adapter Sleeve & Lock Nut Assembly	
		Part No.	Description	Part No.	Description	Part No.	Description
208	1-1/2	129786	INS-GT-108	129521	INS-GT-08	136530	AN-GT-08-108-D
	1-5/8	129844	INS-GT-110			136592	AN-GT-08-110-D
	40mm	129801	INS-GT-40M			136593	AN-GT-08-40M-D
209	1-5/8	129787	INS-GT-110L	129522	INS-GT-09	136531	AN-GT-09-110L-D
	1-11/16	129788	INS-GT-111			136532	AN-GT-09-111-D
	1-3/4	129789	INS-GT-112			136533	AN-GT-09-112-D
	45mm	129802	INS-GT-45M			136557	AN-GT-09-45M-D
210	1-15/16	129790	INS-GT-115	129523	INS-GT-10	136534	AN-GT-10-115-D
	2	129791	INS-GT-200			136535	AN-GT-10-200-D
	50mm	129803	INS-GT-50M			136558	AN-GT-10-50M-D
211	2	129815	INS-GTM-200	129524	INS-GT-11	136600	AN-GTM-11-200-D
	2-3/16	129792	INS-GT-203			136536	AN-GT-11-203-D
	2-1/4	129845	INS-GT-204			136537	AN-GT-11-204-D
	55mm	129804	INS-GT-55M			136559	AN-GT-11-55M-D
212	2-1/4	129817	INS-GTM-204	129525	INS-GT-12	136601	AN-GTM-12-204-D
	2-7/16	129793	INS-GT-207			136538	AN-GT-12-207-D
	60mm	129805	INS-GT-60M			136594	AN-GT-12-60M-D
214	2-1/2	129819	INS-GTM-208	129526	INS-GT-14	136548	AN-GTM-14-208-D
	2-11/16	129794	INS-GT-211			136539	AN-GT-14-211-D
	70mm	129806	INS-GT-70M			136560	AN-GT-14-70M-D
215	2-15/16	129795	INS-GT-215	129527	INS-GT-15	136540	AN-GT-15-215-D
	3	075681	INS-GT-300			136595	AN-GT-15-300-D
	75mm	129807	INS-GT-75M			136596	AN-GT-15-75M-D

@ Assembled to order.

FEATURES/BENEFITS PAGE B5-2	HOW TO ORDER/NOMENCLATURE PAGE B5-4	SELECTION PAGE B5-5	RELATED PRODUCTS PAGE B5-70
--------------------------------	--	------------------------	--------------------------------

Bearing Reference Guide

ULTRA KLEEN

E-Z KLEEN

Extreme Duty

Setscrew Ball Bearing

GRIP TIGHT

D-LOK Ball Bearing

SELECTION/DIMENSIONS



GRIP TIGHT Adapter Ball Bearings GT NORMAL DUTY BEARING INSERTS

Bearing Reference Guide

ULTRA KLEEN

E-Z KLEEN

Extreme Duty

Setscrew Ball Bearing

GRIP TIGHT

D-LOK Ball Bearing

Series	Shaft Size	Weight lbs kg	A	C	D	J	L	N SetScrew (UNF)	W#	X	Y#
208	1-1/2	2.2	1.84	0.87	3.1496	0.22	2.62	#10-32 x 1/4	0.61	1.23	1.23
	1-5/8	2.0							15.5	31.2	31.2
	40mm	1.0	46.7	22.1	80.000	5.6	66.5				
209	1-5/8	2.5	1.85	0.87	3.3465	0.25	2.86	#10-32 x 1/4	0.62	1.26	1.23
	1-11/16	2.5									
	1-3/4	2.5							15.7	32.0	31.2
	45mm	1.2	47.0	22.1	85.000	6.4	72.6				
210	1-15/16	3.0	1.86	0.87	3.5433	0.25	3.13	#10-32 x 1/4	0.63	1.26	1.23
	2	3.0							16.0	32.0	31.2
	50mm	1.4	47.2	22.1	90.000	6.4	79.5				
211	2	3.6	1.93	0.87	3.9370	0.25	3.43	#10-32 x 1/4	0.67	1.32	1.26
	2-3/16	3.4									
	2-1/4	3.3							17.0	33.5	32.0
	55mm	1.6	49.0	22.1	100.000	6.4	87.1				
212	2-1/4	4.8	2.12	1.02	4.3307	0.25	3.69	#10-32 x 1/4	0.73	1.46	1.39
	2-7/16	4.8							18.5	37.1	35.3
	60mm	2.2	53.8	25.9	110.000	6.4	93.7				
214	2-1/2	5.4	2.39	1.10	4.9213	0.26	4.00	#10-32 x 1/4	0.84	1.58	1.55
	2-11/16	5.0							21.3	40.1	39.4
	70mm	2.5	60.7	27.9	125.000	6.6	101.6				
215	2-15/16	5.9	2.46	1.14	5.1181	0.28	4.44	#10-32 x 1/4	0.86	1.60	1.60
	3	5.7							21.8	40.6	40.6
	75mm	2.7	62.5	29.0	130.000	7.1	112.8				

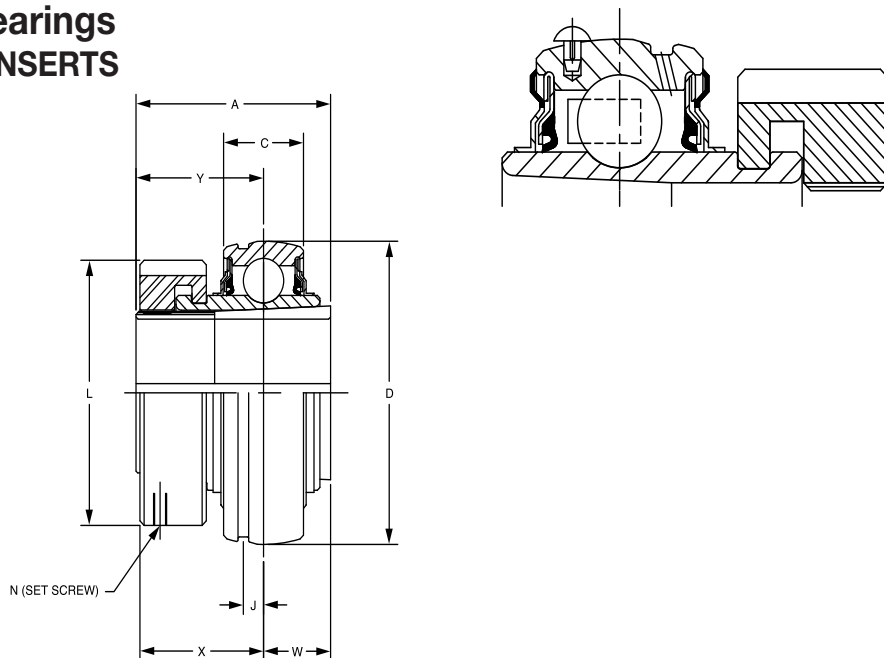
#W & Y dimensions will vary slightly depending on true shaft diameter.

FEATURES/BENEFITS PAGE B5-2	HOW TO ORDER/NOMENCLATURE PAGE B5-4	SELECTION PAGE B5-5	RELATED PRODUCTS PAGE B5-70
--------------------------------	--	------------------------	--------------------------------



SELECTION/DIMENSIONS

GRIP TIGHT Adapter Ball Bearings GTM MEDIUM DUTY BEARING INSERTS



Series	Shaft Size	Complete Unit		Unit without Adapter Sleeve & Lock Nut		Adapter Sleeve & Lock Nut Assembly	
		Part No.	Description	Part No.	Description	Part No.	Description
205	3/4	129417	INS-GTM-012	129518	INS-GT-05	136597	AN-GTM-05-012-D
206	1 25mm	129808	INS-GTM-100	129519	INS-GT-06	136541	AN-GTM-06-100-D
		129889	INS-GTM-25M			136561	AN-GTM-06-25M-D
207	1-3/16 1-1/4 30mm	129809	INS-GTM-103	129520	INS-GT-07	136542	AN-GTM-07-103-D
		129783	INS-GT-104			136528	AN-GT-07-104-D
		129890	INS-GTM-30M			136562	AN-GTM-07-30M-D
208	1-7/16 35mm	129810	INS-GTM-107	129521	INS-GT-08	136543	AN-GTM-08-107-D
		129891	INS-GTM-35M			136530	AN-GTM-08-35M-D
209	1-1/2 1-5/8 40mm	129811	INS-GTM-108	129522	INS-GT-09	136563	AN-GTM-09-108-D
		129787	INS-GT-110L			136598	AN-GT-09-110L-D
		129892	INS-GTM-40M			136531	AN-GTM-09-40M-D
210	1-11/16 1-3/4 45mm	129812	INS-GTM-111	129523	INS-GT-10	136564	AN-GTM-10-111-D
		129813	INS-GTM-112			136544	AN-GTM-10-112-D
		129893	INS-GTM-45M			136599	AN-GTM-10-45M-D
211	1-15/16 2 50mm	129814	INS-GTM-115	129524	INS-GT-11	136545	AN-GTM-11-115-D
		129815	INS-GTM-200			136600	AN-GTM-11-200-D
		129894	INS-GTM-50M			136566	AN-GTM-11-50M-D
212	2-3/16 2-1/4 55mm	129816	INS-GTM-203	129525	INS-GT-12	136546	AN-GTM-12-203-D
		129817	INS-GTM-204			136601	AN-GTM-12-204-D
		129895	INS-GTM-55M			136567	AN-GTM-12-55M-D
214	2-7/16 2-1/2 65mm	129818	INS-GTM-207	129526	INS-GT-14	136547	AN-GTM-14-207-D
		129819	INS-GTM-208			136548	AN-GTM-14-208-D
		129896	INS-GTM-65M			136568	AN-GTM-14-65M-D
215	2-11/16 70mm	129820	INS-GTM-211	129527	INS-GT-15	136549	AN-GTM-15-211-D
		129897	INS-GTM-70M			136569	AN-GTM-15-70M-D
216	2-15/16 3 75mm	129821	INS-GTM-215	129528	INS-GT-16	136550	AN-GTM-16-215-D
		129822	INS-GTM-300			136551	AN-GTM-16-300-D
		129898	INS-GTM-75M			136570	AN-GTM-16-75M-D
218	3-7/16 3-1/2 85mm	129823	INS-GTM-307	129529	INS-GT-18	136552	AN-GTM-18-307-D
		129824	INS-GTM-308			136603	AN-GTM-18-308-D
		129899	INS-GTM-85M			136571	AN-GTM-18-85M-D

@ Assembled to order.

FEATURES/BENEFITS PAGE B5-2	HOW TO ORDER/NOMENCLATURE PAGE B5-4	SELECTION PAGE B5-5	RELATED PRODUCTS PAGE B5-70
--------------------------------	--	------------------------	--------------------------------

Bearing Reference Guide

ULTRA KLEEN

E-Z KLEEN

Extreme Duty

Setscrew Ball Bearing

GRIP TIGHT

D-LOK Ball Bearing

SELECTION/DIMENSIONS

GRIP TIGHT Adapter Ball Bearings
GTM MEDIUM DUTY BEARING INSERTSBearing Reference
Guide

ULTRA KLEEN

E-Z KLEEN

Extreme Duty

Setscrew Ball Bearing

GRIP TIGHT

D-LOK Ball Bearing

Series	Shaft Size	Weight lbs kg	A	C	D	J	L	N SetScrew (UNF)	W#	X	Y#
205	3/4	0.9	1.46	0.59	2.0472	0.16	1.80	#10-32 x 1/4	0.48	1.00	0.98
			37.1	15.0	52.000	4.1	45.7		12.2	25.4	24.9
206	1 25mm	1.8 0.8	1.61	0.69	2.4409	0.16	2.08	#10-32 x 1/4	0.52	1.13	1.09
			40.9	17.5	62.000	4.1	52.8		13.2	28.7	27.7
207	1-3/16	2.2	1.62	0.75	2.8346	0.20	2.38	#10-32 x 1/4	0.54	1.14	1.08
	1-1/4	1.7									
	30mm	1.0	41.1	19.1	72.000	5.1	60.5		13.7	29.0	27.4
208	1-7/16	2.5	1.84	0.87	3.1496	0.22	2.62	#10-32 x 1/4	0.61	1.23	1.23
	35mm	1.1	46.7	22.1	80.000	5.6	66.5		15.5	31.2	31.2
209	1-1/2	3.0	1.85	0.87	3.3465	0.25	2.86	#10-32 x 1/4	0.62	1.26	1.23
	1-5/8	2.5									
	40mm	1.1	47.0	22.1	85.000	6.4	72.6		15.7	32.0	31.2
210	1-11/16	3.0	1.86	0.87	3.5433	0.25	3.13	#10-32 x 1/4	0.63	1.26	1.23
	1-3/4	3.0									
	45mm	1.4	47.2	22.1	90.000	6.4	79.5		16.0	32.0	31.2
211	1-15/16	3.4	1.93	0.87	3.9370	0.25	3.43	#10-32 x 1/4	0.67	1.32	1.26
	2	3.3									
	50mm	1.5	49.0	22.1	100.000	6.4	87.1		17.0	33.5	32.0
212	2-3/16	4.9	2.12	1.02	4.3307	0.25	3.69	#10-32 x 1/4	0.73	1.46	1.39
	2-1/4	4.8									
	55mm	2.2	53.8	25.9	110.000	6.4	93.7		18.5	37.1	35.3
214	2-7/16	5.5	2.39	1.10	4.9213	0.26	4.00	#10-32 x 1/4	0.84	1.58	1.55
	2-1/2	5.4									
	65mm	2.5	60.7	27.9	125.000	6.6	101.6		21.3	40.1	39.4
215	2-11/16	5.9	2.46	1.14	5.1181	0.28	4.44	#10-32 x 1/4	0.86	1.60	1.60
	70mm	2.7	62.5	29.0	130.000	7.1	112.8		21.8	40.6	40.6
216	2-15/16	6.9	2.70	1.18	5.5118	0.29	4.69	#10-32 x 1/4	0.89	1.78	1.81
	3	6.8									
	75mm	3.2	68.6	30.0	140.000	7.4	119.1		22.6	45.2	46.0
218	3-7/16	8.8	2.80	1.34	6.2992	0.30	5.19	#10-32 x 1/4	0.96	1.81	1.84
	3-1/2	8.7									
	85mm	4.0	71.1	34.0	160.000	7.6	131.8		24.4	46.0	46.7

#W & Y dimensions will vary slightly depending on true shaft diameter.

FEATURES/BENEFITS PAGE B5-2	HOW TO ORDER/NOMENCLATURE PAGE B5-4	SELECTION PAGE B5-5	RELATED PRODUCTS PAGE B5-70
--------------------------------	--	------------------------	--------------------------------

B5-67